

Introducing the NEW

# COSMETIC MERCHANDISING TRAY

## FEATURES AND BENEFITS OF THE NEW COSMETIC MERCHANDISING TRAY

- **NO STORE SHELVES REQUIRED**

Trays are easily mounted directly to pegboard or slatwall and connect side by side to create a uniform horizontal front.

- **STACKING TRAYS**

With the addition of Tray Risers, trays can be stacked creating an immediate customizable countertop display solution! Stacked units can also be hung from pegboard or slatwall!

- **HIDDEN UPC CODES**

Unightly product UPC stickers are hidden behind the flip up label holder, out of the customers sight but still easily accessed for inventory purposes.

- **ABILITY TO MERCHANDISE A WIDE VARIETY OF PRODUCTS**

Tray Dividers can quickly be added, removed or adjusted to accommodate products of all shapes and sizes!

- **DISPLAY EYE-CATCHING GRAPHICS**

The front flip label holder securely holds and protects P.O.S. graphics. A larger header graphic can be displayed behind the tray using the integrated sign holder



Cosmetic trays locked side by side, hanging from pegboard



Stacked counter top display with a graphic header

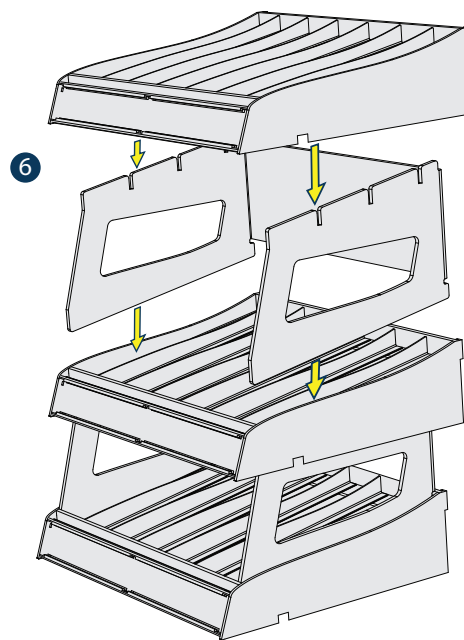
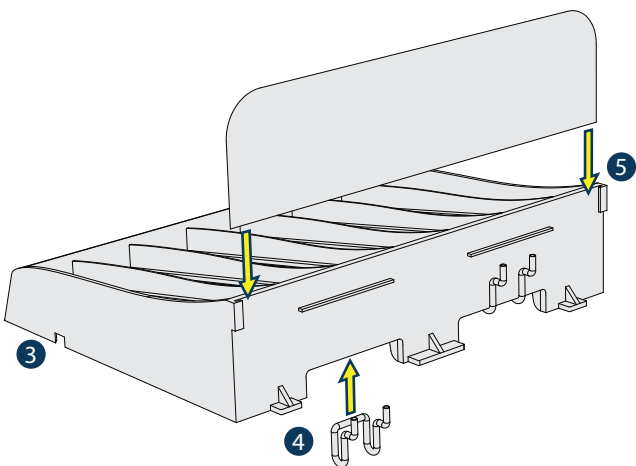
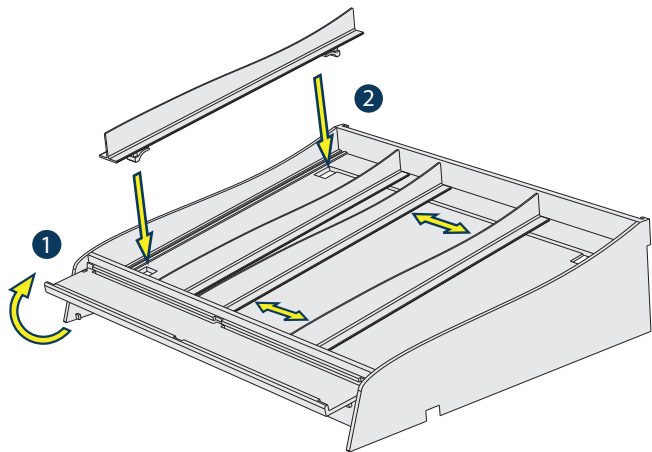


Stacked tray display hanging from pegboard



# HOW DOES IT WORK?

# COSMETIC MERCHANDISING TRAYS



- 1 Flip-up graphics holder
- 2 Easily add and adjust dividers as required
- 3 Connection slot for interlocking trays side-by-side
- 4 Wire brackets for mounting to pegboard or slatwall
- 5 Back graphic / sign holder
- 6 Stack trays with the addition of tray risers

## PRODUCT INFORMATION

**COSMTRAY-01** - Cosmetic Tray - 11-7/8"W x 8"D - Molded in clear crystal styrene  
Graphic Insert Dimensions - 11-7/8"W x 1-3/16"H

**COSMDIV208** - Tray Divider - 3/4"W x 8"D - Molded in clear crystal styrene

**COSMRISER** - Tray Riser - Clear Acrylic  
Riser height is customized to fit your products

To order today, contact our sales department:



1 800 410 0264  
T (905) 738 0888  
F (905) 738 1334  
[www.displaypeople.com](http://www.displaypeople.com)

Please visit our website for a complete listing of our modular display components and other innovative merchandising solutions!

